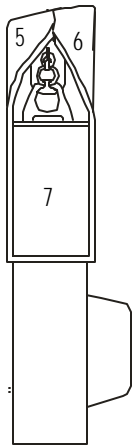
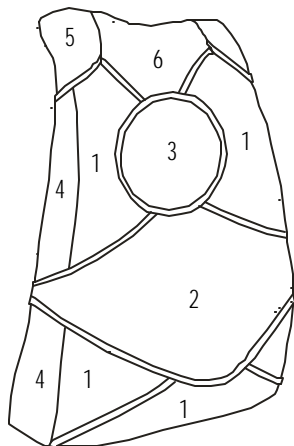


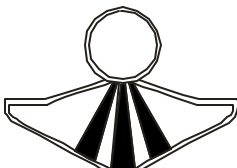
Racer

- Narrow Over the Shoulder** - Ideal for smaller canopies. Compatible only with Type 17 risers.
- Wide Over the Shoulder** - Ideal for larger canopies. For use with Type 8 and Type 17 risers.

Revised
June 2005



3StripesMidflap&Hat\$75



Classic3StripesMidflapOnly\$75
Otherappliesavailable. Seebackofform.

The **RACER** Sportcontainerwithfullysealedriser covers(partialVelcro),includingtheNewTuckPocket

Office Use Only

Order Date: _____

W.O.#: _____ Serial #: _____

H: _____ C: _____

Name: _____

Address: _____

City: _____ State: _____ Zip: _____

Country: _____ Telephone: _____

Material

- Parapac
- Cordura

Colors

- 1) _____
- 2) _____
- 3) _____

Stripes on Midflap/Hat

- 4) _____
- 5) _____
- 6) _____
- 7) _____

Back Pad Color: _____

Leg Pad Color: _____

Trim Tape Color: _____

Harness Color: _____

Chest Strap Color: _____

Cutaway Handle Color: _____

Embroidery

Embroidery on Mudflap **\$20**

- Left Mud Flap (#7)
- Right Mud Flap (#7)

Text: _____

Block *Script*

Thread Color: _____

Main Activation

- Pull-Out
Handle Color: _____
- Throw-Out (right legpad)
- Spandex Pocket
- Throw-Out (B.O.C.)
- Ripcord \$50

Main Pilot Chute

- Kill-Line Collapsible
- Zero-P Pilot Chute \$15
- Custom Color P.C. \$10
Color: _____
- Leather Hackey Handle **\$30**
Color A: _____
Color B: _____

Container Sizing

Reserve Canopy

Manufacturer: _____
Model: _____
Size: _____

- Spectra
- Dacron

Main Canopy

Manufacturer: _____
Model: _____
Size: _____

- Spectra
- Dacron

Format

- Power Racer (9"X9")
- Thinline (11"X11")
- Square Back (12"X12")
- Narrow (12"X14")
- We Decide

Harness Options

- Conventional
- Hip Rings \$150
- Stepped Harness \$100
- Type 17 (1") Chest Strap

Leg Strap

- Thread Thru
- B-12 Snaps \$75

MudFlap

This option may be dictated by the harness size.

- Long
- Short (w/ low or high chest-strap only)

Chest Strap Location

- Low
- Medium (w/ long mudflap only)
- High

Harness Sizing

Height _____
Weight _____
Inseam _____
Chest/Bust _____
Waist _____
Hips _____
Thigh (les strap) _____
Back (C-7 to L-4) _____
Shoulder Width _____

Special Options

- Stainless Steel 3-Ring \$275 & Stainless Friction Adaptors
- Small Reserve Pilot Chute
- Narrow Legpads
- Double Thick Legpads \$20
- Parapac Back/Legpads \$20
- Hook Knife \$30
- Low Profile Reserve Handle
- Metal Low Profile Cutaway
- Handle \$10
- Snap Toggles
- Pinstripe on Cutaway \$20
Color: _____
- Pinstripe on Mudflap \$20
Color: _____

Pinstripe on Mudflap \$20
Color: _____

Two-tone #1 Flap \$75

Tie-Dye Option \$288
(available on Cordura only)

Cordura Color: _____

Dye Color: _____

Prices are subject to change

Jump Shack

1665 N. Lexington Ave. #106
Deland, FL 32724 USA

Ph: (386) 734-5867

FAX: (386) 734-8464

E-mail: sales@jumpshack.com

Website: www.jumpshack.com

Custom Applique Price & Design Chart

rev. April 2005

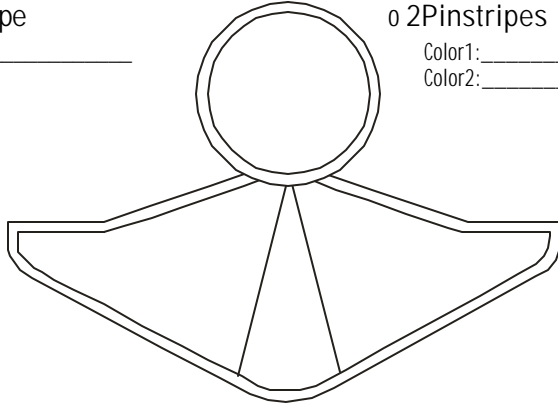
Note: Pinstripes are not available on the SRP (Small Reserve Pilot chute) hat. If you would like pinstripes on an SRPrig, they must be on the midflap only. \$75 for any pattern.

If you would like an applique different than the ones shown here, you may design your own custom applique. The price is \$40/hour to cover the cost of designing custom patterns.

Midflap Only

o 1 Stripe

Color: _____

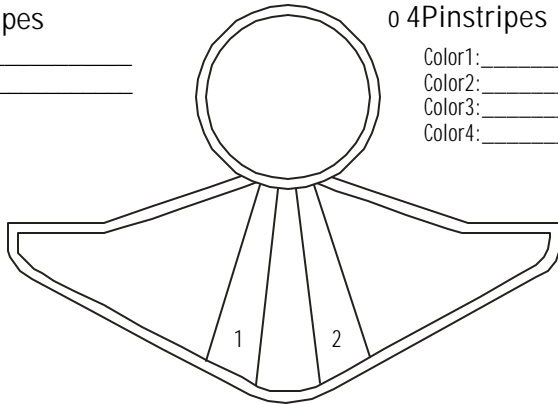


o 2 Pinstripes

Color1: _____
Color2: _____

o 2 Stripes

Color1: _____
Color2: _____

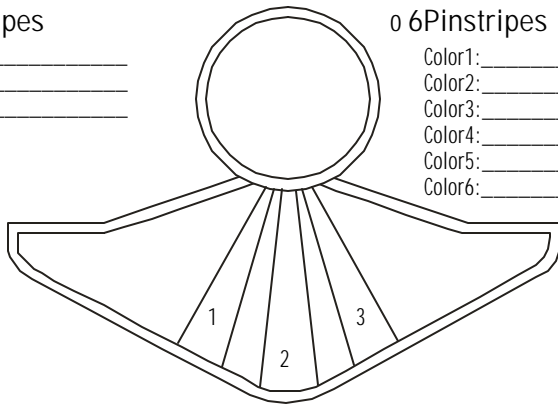


o 4 Pinstripes

Color1: _____
Color2: _____
Color3: _____
Color4: _____

o 3 Stripes

Color1: _____
Color2: _____
Color3: _____

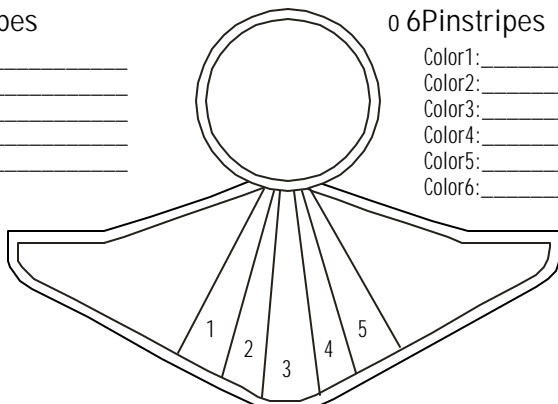


o 6 Pinstripes

Color1: _____
Color2: _____
Color3: _____
Color4: _____
Color5: _____
Color6: _____

o 5 Stripes

Color1: _____
Color2: _____
Color3: _____
Color4: _____
Color5: _____



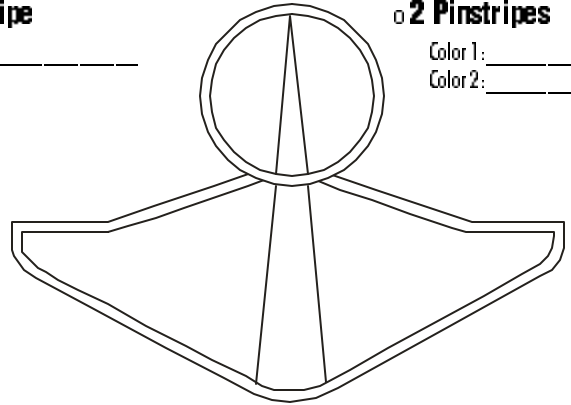
o 6 Pinstripes

Color1: _____
Color2: _____
Color3: _____
Color4: _____
Color5: _____
Color6: _____

Midflap & Hat

o 1 Stripe

Color: _____

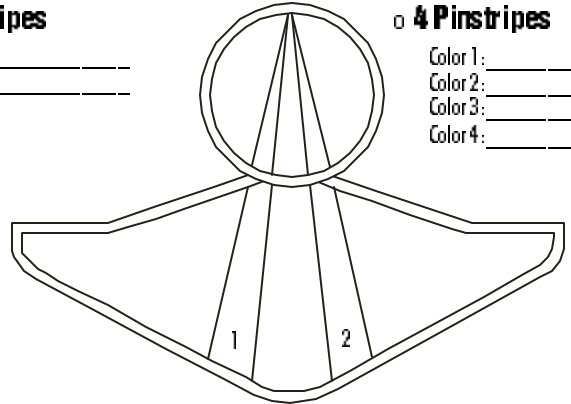


o 2 Pinstripes

Color1: _____
Color2: _____

o 2 Stripes

Color1: _____
Color2: _____

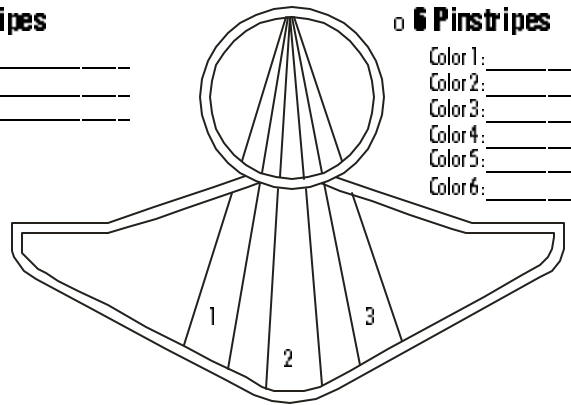


o 4 Pinstripes

Color1: _____
Color2: _____
Color3: _____
Color4: _____

o 3 Stripes

Color1: _____
Color2: _____
Color3: _____

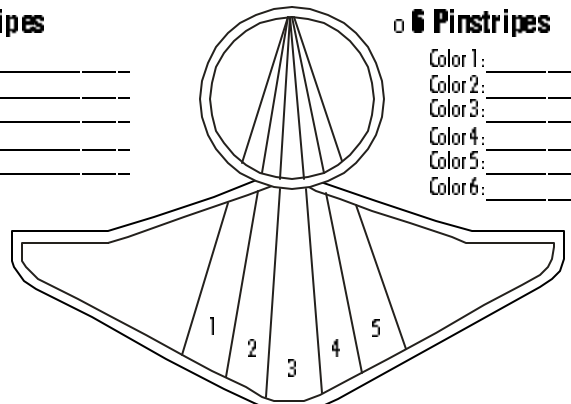


o 6 Pinstripes

Color1: _____
Color2: _____
Color3: _____
Color4: _____
Color5: _____
Color6: _____

o 5 Stripes

Color1: _____
Color2: _____
Color3: _____
Color4: _____
Color5: _____



o 6 Pinstripes

Color1: _____
Color2: _____
Color3: _____
Color4: _____
Color5: _____
Color6: _____