

RIGGING INNOVATIONS INC.

P O BOX 86, ELOY, AZ 85231, USA
 520-466-2655/520-466-2656 (fax)
 www.rigginginnovations.com



FABRIC: Cordura \$ [Cost Option]
 STAINLESS STEEL: Full 3-Ring \$
 HARNESS STYLE: Multi-Flex (Hip & Chest Rings)
 FAST
 CHEST STRAP: Ty-17 (1") Ty-8 (2")
 HARNESS RING: Mini
 MAIN RISERS: Ty-17 Ty-8
 HARNESS/RISER COLOR: _____
 LEG HARDWARE: Thread-Thru
 LEG PADS: Double Wide Narrow
 DEPLOYMENT: BOC POP
 PILOTCHUTE/ZP: 26" 30" 33"
 MAIN BRIDLE: Kill-Line Bungee Collapsible
 HACKEY: Black Other: _____
 MAIN BAG: Solid
 RESERVE RIPCORD: Metal Pillow: _____
 RELEASE HANDLE: Red Other: _____
 RSL: Setup No lanyard w/RSL lanyard
 CYPRES: Setup Standard
 Monogram #7 \$ _____
(Flap located below 3-Ring on wearer's left)

MONOGRAM STYLE: Script BLOCK
 MONOGRAM COLOR: _____
 RIFF-RAFF #7: COLOR: _____
 #3 SIDE LOGO: COLOR: _____
 TRIM COLOR: _____
(Color tape around flaps)

CONTAINER COLORS:
 Reserve Top Flap (1) _____
 Center-Flap (2) _____
 Main Side/Bottom (3) _____
 Main Side Flaps (4) _____
 Reserve Side Flaps (5) _____
 Main Pin Cover (6) _____
 Monogram Flaps (7) _____
 Leg Pads (8) _____
 Backpad (9) _____
 Main Flap/Bottom (10) _____
 Voodoo "V" Flap (1) _____

EYE OPTION:
 Color: A: _____ B: _____ C: _____
 PIN STRIPE #3: _____ "V" _____

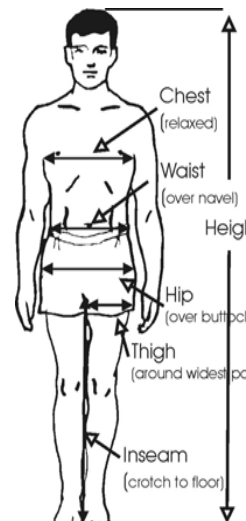
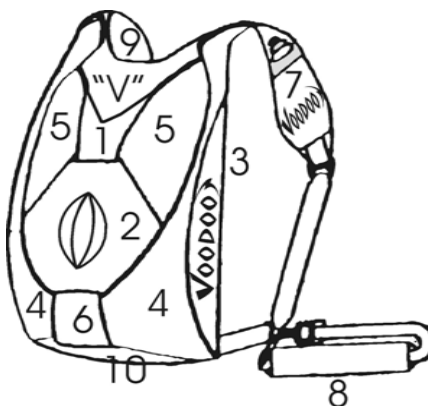
RESERVE CANOPY: _____
 Spectra Dacron Year: _____

MAIN CANOPY: _____
 Spectra Dacron Year: _____

CUSTOMER INFORMATION
 NAME: _____
 ADDRESS: _____
 CITY: _____
 STATE: _____ ZIP: _____
 COUNTRY: _____
 PHONE: _____
 email: _____

CUSTOMER MEASUREMENTS:

Height	Weight	Inseam	Sex	Chest	Waist	Hip	Thigh



CONTAINER COLOR OPTIONS: (Subject to availability)
 Black, Dark Teal, Fuschia, Gold, Kelly Green, Navy, Orange, Pink, Purple, Red, Royal, Silver, Smoke, White, Yellow.
 TIE DYE Options available, call for information and prices.

HARNESS AND CONTAINER ASSEMBLY
 Includes: RESERVE Bag, Ripcord, Pilotchute, Toggles, MAIN Bag, Risers, Velcroless Toggles, ZP Pilotchute with Hackey, Kill-line bridle, RSL, Cypres ready and Owners Manual.

PRICE LIST

VOODOO Multi-Flex/FAST Harness	\$1875.00
STAINLESS STEEL - Full	\$250.00
STAINLESS STEEL - 3-Ring	\$100.00
MONOGRAM #7 - Two Words	\$25.00
MONOGRAM - Release Handle	\$25.00

Shipping Ground/US/UPS \$20.00
 Less: DEPOSIT _____
 TOTAL US\$ _____

PRICES SUBJECT TO CHANGE WITHOUT NOTICE

DEALER

OFFICE USE ONLY

DATE:	_____				
PRODUCTION #:	_____				
INVOICE #:	_____				
LS	LP	MLW	CH	HZ & SZ	SIZE

June 2002

VOODOO 2.0 ORDER FORM